

CITY OF OJAI

RESOLUTION NO. 14-04

**A RESOLUTION OF THE CITY COUNCIL OF THE CITY OF OJAI,
CALIFORNIA, DIRECTING THE CITY ENGINEER TO PREPARE THE
REPORT FOR THE PLAZA MAINTENANCE ASSESSMENT DISTRICT
NO. 2 FOR THE MAINTENANCE OF CERTAIN PUBLIC PLAZA
IMPROVEMENTS IN SAID DISTRICT, FOR THE PERIOD BEGINNING
JULY 1, 2014 AND ENDING JUNE 30, 2015**

WHEREAS, public necessity and convenience require the initiation of special assessment proceedings under the provisions of the Landscaping and Lighting Act of 1972, for the installation of certain infrastructure, the furnishing of electrical energy, and the maintenance of certain street lights, street trees and landscaping, and curb, gutter, and sidewalk improvements; and

WHEREAS, Plaza Maintenance Assessment District No. 2 was established to provide funding for the improvement and maintenance of facilities within the District boundaries as detailed in the City of Ojai Plaza Maintenance Assessment District No. 2 Map.

**NOW, THEREFORE, THE CITY COUNCIL OF THE CITY OF OJAI, CALIFORNIA,
DOES HEREBY RESOLVE AND ORDER, AS FOLLOWS:**

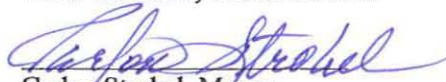
SECTION 1. Directs the City Engineer to prepare the Engineer's Report containing plans, specifications, estimates of cost, diagrams and the proposed assessment, all as provided in Sections 22565 through 22574 of the Streets and Highways Code for the installation of certain infrastructure, the furnishing of electrical energy, and the maintenance of certain street lights, street trees, landscaping and other eligible maintenance in said District for the period beginning July 1, 2014 and ending June 30, 2015.

SECTION 2. Declares that the boundaries of Plaza Maintenance Assessment District No. 2 are those depicted on the City of Ojai Plaza Maintenance Assessment District No. 2 Map, identifying Zones A, B, and C, which is attached hereto and made a part hereof. (Exhibit A)

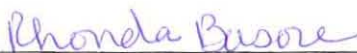
PASSED, APPROVED, AND ADOPTED this 28th day of January 2014 by the following vote:

AYES: Blatz, Clapp, Lara, Strobel
NOES: None
ABSENT: Smith
ABSTAIN: None

CITY OF OJAI, CALIFORNIA

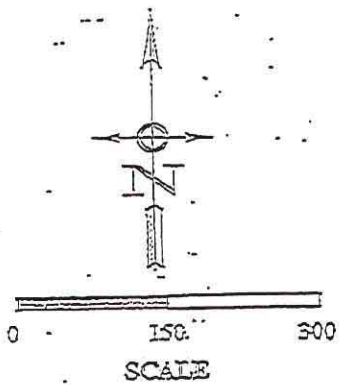

Carlou Strobel, Mayor

ATTEST:


Rhonda Basore, City Clerk

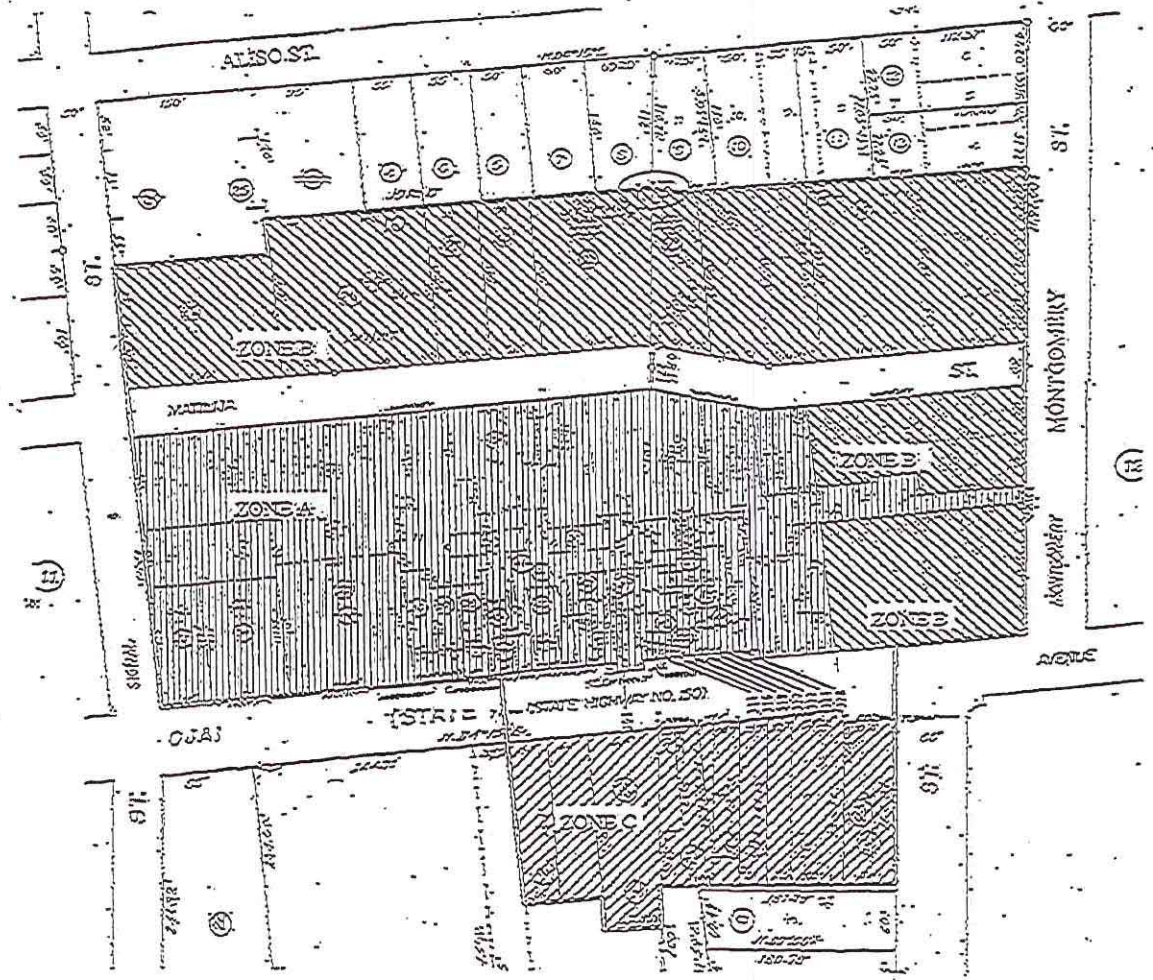
APPROVED AS TO FORM:


Joseph W. Fletcher, City Attorney



ZONE LEGEND

- ZONE A
- ZONE B
- ZONE C



PLAZA MAINTENANCE ASSESSMENT DISTRICT (NO. 2)
FISCAL YEAR 14/15