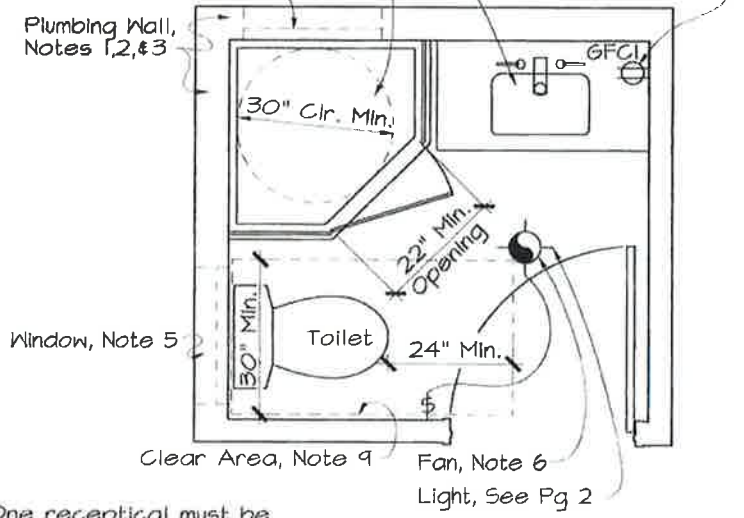
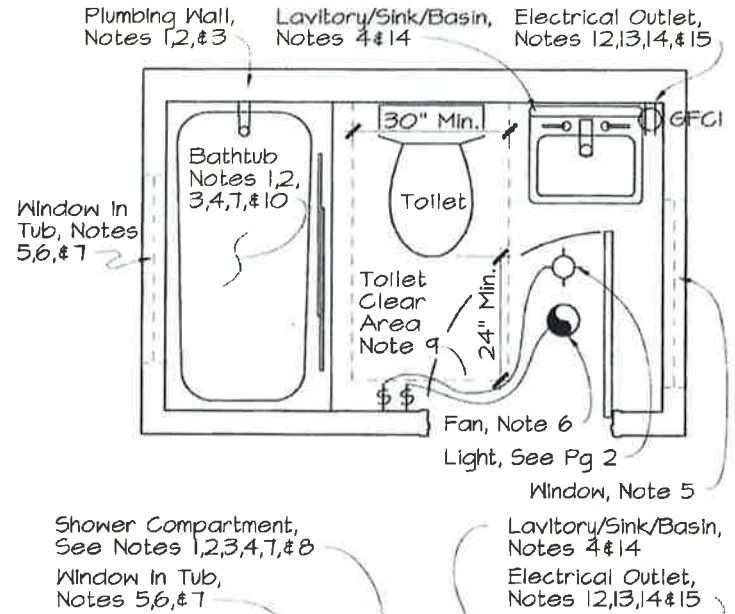


BATHROOM NOTES

1. Water-resistant gypsum backing board in shower shall not be used on bathroom ceilings where framing member spacing exceeds 12" o.c.
2. Wall covering in shower shall have a smooth, hard nonabsorbent surface of cement plaster, tile or other approved materials to a height of not less than 70" above drain inlet.
3. Provide 2x6 studs at plumbing wall for 3" dia. or larger pipes running through studs.
4. Each sink, lavatory, bathtub, and shower shall be equipped with hot and cold running water for its normal operation.
5. If a window is provided for ventilation, the opening shall be a minimum of 5% of the floor area, being served and not less than 1.5 sqft.
6. In lieu of of the openable window, a ventilation fan capable of providing five air changes per hour direct to the outside, may be provided.
7. Provide safety glazing in walls of tub and shower enclosure where the bottom exposed edge of the glazing is less than 60" above a standing surface & drain inlet.
8. Shower Dimension Requirements
 - Min. Shower Stall Floor Area 1024 sq.in.
 - Min. 30" Dia. Clear Area
 - Min. 22" Clear Shower Door Opening
9. Inside finished dimensions of toilet compartment must be 30" min. width and 24" clear space in front of toilet. (Minimum 15" from the center of toilet to side wall.)
10. Provide a permanently accessible 12-inch square bathtub trap access door or a non-slip-joint trap shall be used.
11. Toilet compartment shall have a ceiling height of not less than 7 feet in height measured to the lowest projection from the ceiling.
12. Ground-Fault Circuit Interrupters (GFCI) are required at each relocated or new receptacle outlets within bathrooms. GFCI protection may be accomplished by use of either listed GFCI outlets or by listed GFCI breakers protecting the circuit associated with the outlets in the bathroom.
13. When existing outlets are removed from their outlet box, the replacement outlet shall be GFCI protected. Non-GFCI-protected outlets shall not be reused.
14. An electrical outlet shall be provided within 36 inches of the outside edge of each basin within the bathroom as required under the National Electric Code (NEC). Where more than one basin is provided, a receptacle outlet shall be provided at each separate basin. One outlet may serve two basins provided the outlet is located between the two basins and the basins share a common counter top.
15. Receptacles shall not be installed within a bathtub or shower space.



One receptacle must be provided on each side or one outlet may be located in the center and share one counter, see Note 14.

Both receptacles cannot be located on one side, even if located within 36" of both sink basins.

Outlet for each basin shall be within 36" of basin rim.



RESIDENTIAL BATHROOM REQUIREMENTS

HELP FOR THE HOMEOWNER

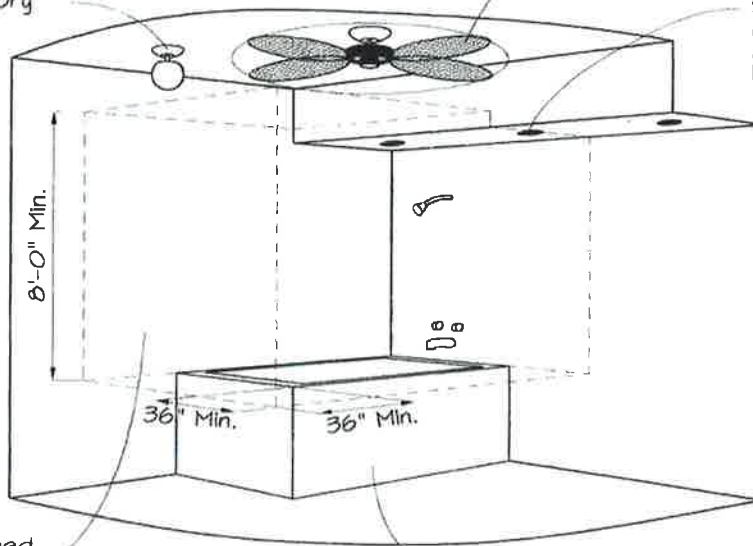
Building Official: *[Signature]* Date: 6/6/16

Date: _____ Sheet 1 of 2

Pendant Light Outside Area
See Building Department for
for Light a Lavatory

Fan Outside Area
Described in Note 17

Soffit and Recessed
Light Inside Restricted
Area Which Comply to the
Requirements in Note 18



Area Described
In Note 17

Bathtub, Hydro Massage or Showers

Light-25319, Title 24

- 16. All incandescent lighting fixtures recessed into insulated ceilings shall be approved for zero-clearance insulation cover (IC) by Underwriters Laboratories or other testing/rating laboratories recognized by the International Conference of Building Officials.
- 17. No parts of cord-connected fixtures, hanging fixtures, lighting track, pendants, or ceiling suspended (paddle) fans shall be located within 3 feet horizontally and 8 feet vertically from the top of the bathtub rim or shower stall.
- 18. Light fixtures located within 3 feet horizontally and 8 feet vertically from the top of the bathtub rim or shower must be recessed and suitable for damp locations. Exception: light fixtures may be located over vanity wall mounted with GFCI protection.

Energy Requirements

- 19. Lighting in bathrooms must be high efficacy, or must be controlled by a manual-on occupant sensor.

A bathroom, for the purposes of energy requirements, is a room containing a shower, tub, toilet, or a sink that is used for personal hygiene.

If a sink used for personal hygiene is in a room other than a bathroom, such as bedroom, where no doors, walls or other partitions separate the sink area from the rest of the room, and the lighting for the sink area is switched separately from room area lighting, only the luminaire(s) that are lighting the sink area must meet the bathroom lighting requirements. In this case, lighting of the sink area includes lighting of associated counters, cabinets, and mirrors.

More than one circuit of luminaires may be attached to the same manual-on occupant sensor. At least one high-efficacy luminaire should be installed so that it can be left off the occupant sensor circuit to ensure that all of the luminaires don't switch off while someone is in the bath. Even dual technology sensors may not detect a motionless and silent occupant.



RESIDENTIAL BATHROOM REQUIREMENTS

HELP FOR THE HOMEOWNER


 Building Official: _____ Date: 6/6/16
 Date: _____ Sheet 2 of 2