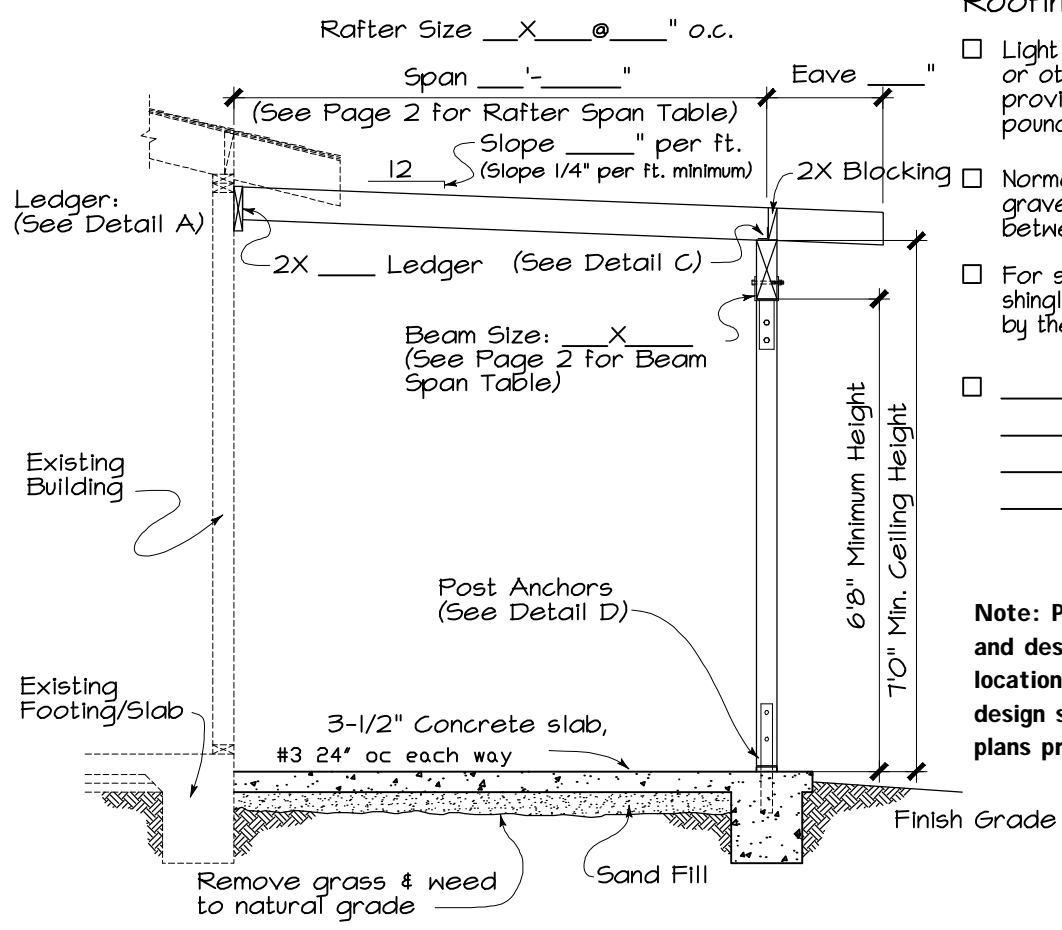


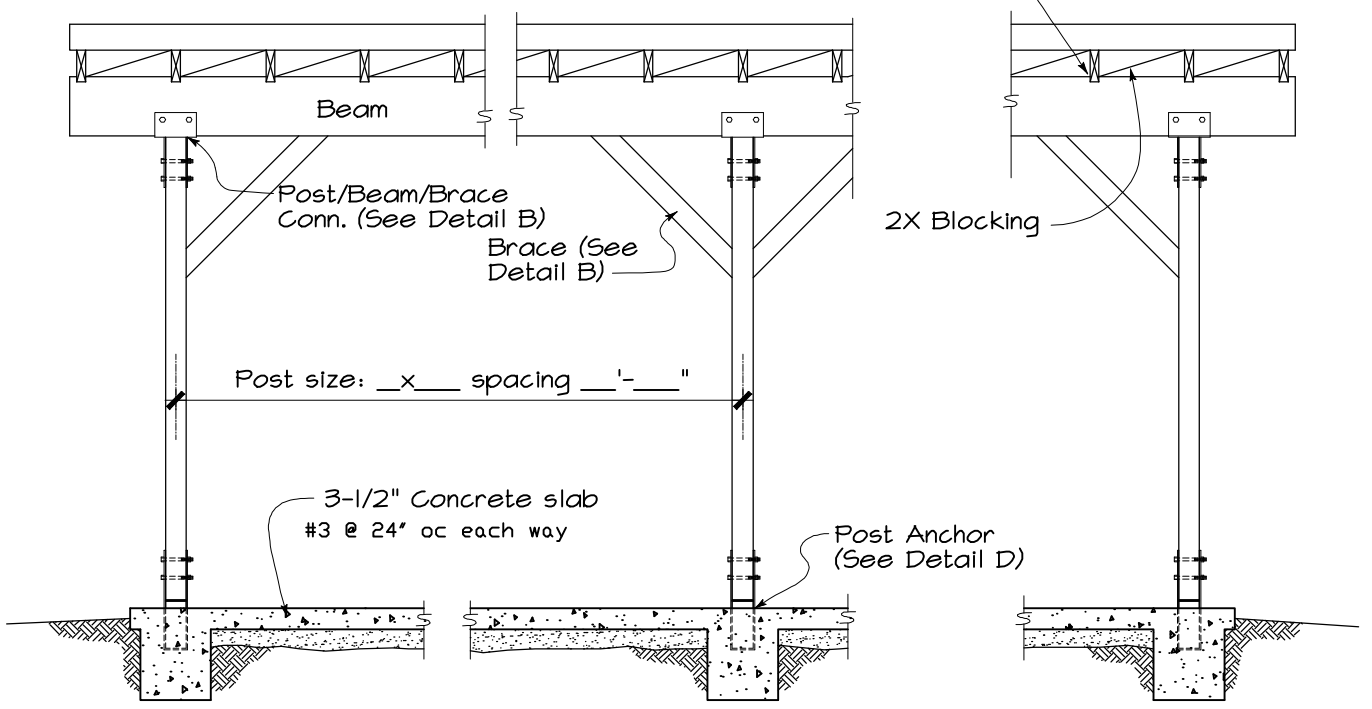
Roofing Material: (Check One)

- Light Weight Roof: Fiberglass, Lath or 2x2's or other spaced boards, other materials provided the material does not exceed 8 pounds per square foot.  
or
- Normal Weight Roofing < 2:12: 300# rock or gravel over 3 layers of 15 lb felt hot mopped between or approved built-up roof.  
or
- For slopes greater than 2:12 composition shingles may be used with assemblies specified by the manufacturer.  
or
- \_\_\_\_\_  
\_\_\_\_\_  
\_\_\_\_\_

**Note:** Planning regulates the height, location and design of the wall based on the zone, location on the property, and community design standards. Planning must approve the plans prior to any permit being issued.



CONSTRUCTION SECTION



ELEVATION

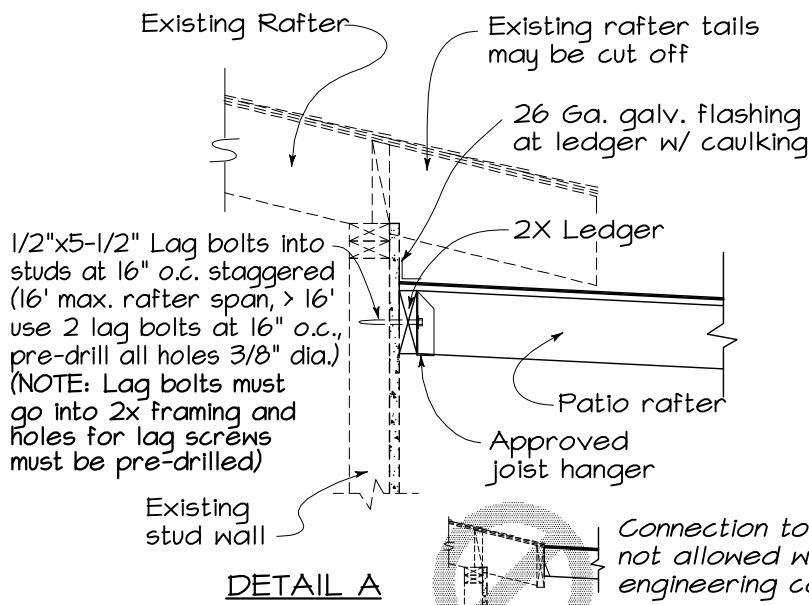


**ATTACHED PATIO COVER**

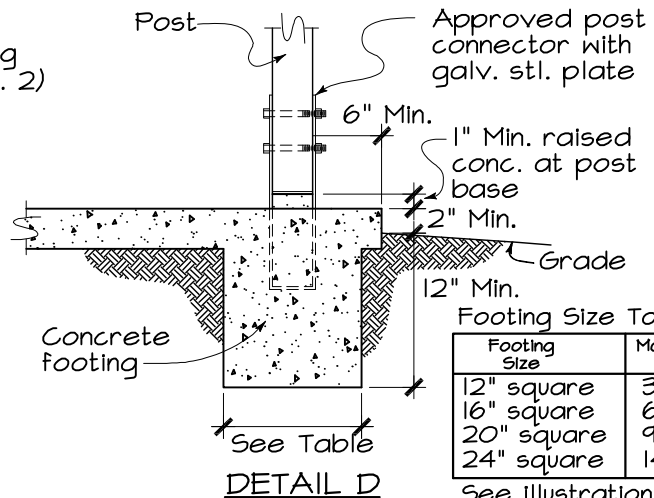
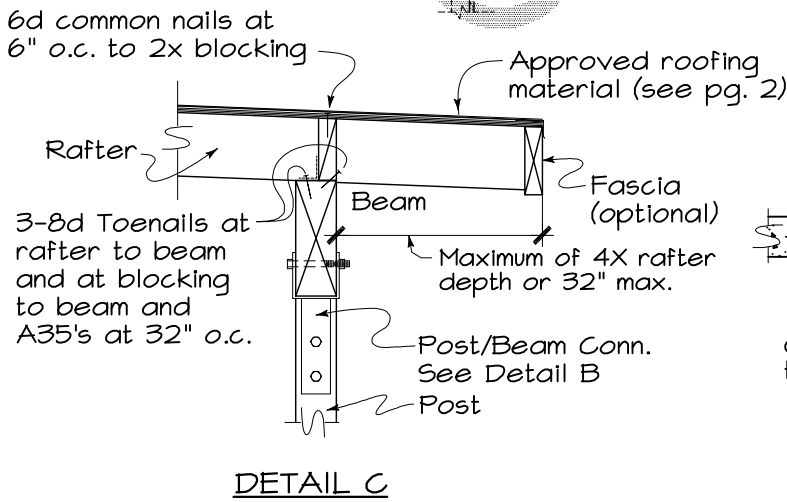
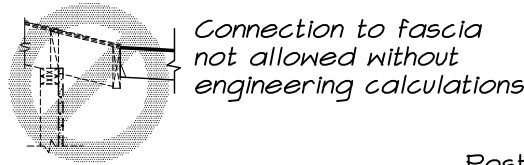
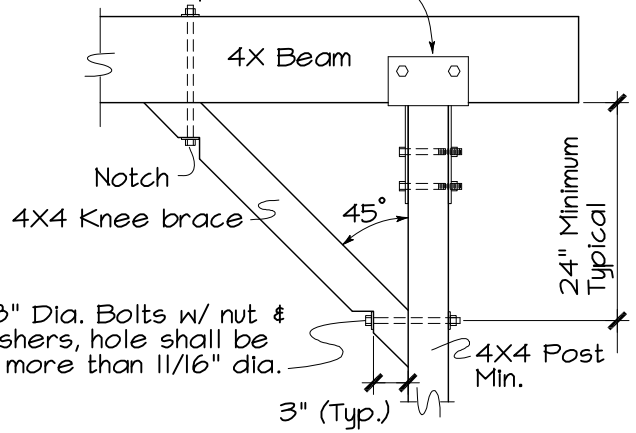
**HELP FOR THE HOMEOWNER**

**OJAI BUILDING AND SAFETY**

<i>Renee Meriaux, CBO</i>		10/16/16
Building Official:		Date
Date: 3/22/11	Sheet 1 of 4	B810



Approved Column Cap, or T- Strap both sides, or post cap installed per manufacturer's specifications



**Footing Size Table**

Footing Size	Max. Supported Roof Area
12" square	34 sqft.
16" square	60 sqft.
20" square	96 sqft.
24" square	140 sqft.

See illustration below for area calculation.

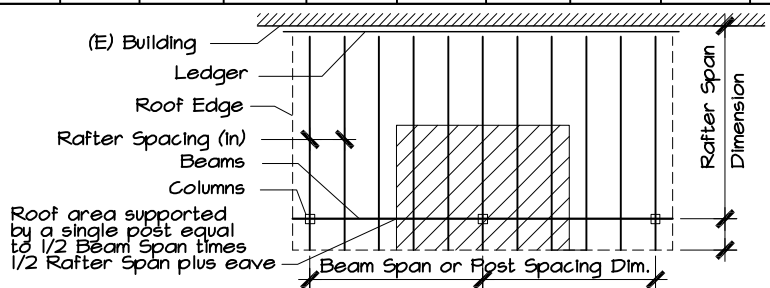
**RAFTER SPANS (DFL #2)**

Rafter Size	Rafter Spacing				
	12"	16"	24"	32"	48"
2x4	7'-9"	7'-1"	6'-2"		
2x6	12'-3"	11'-1"	9'-3"	8'-0"	6'-6"
2x8	16'-2"	14'-8"	11'-8"	10'-2"	8'-3"
2x10	20'-0"	18'-9"	14'-4"	12'-5"	10'-1"
2x12	20'-0"	20'-0"	16'-7"	14'-4"	11'-9"
4x6	16'-3"	14'-9"	12'-11"	11'-6"	10'-0"
4x8	20'-0"	19'-5"	17'-0"	15'-3"	12'-8"
4x10		20'-0"	20'-0"	18'-11"	15'-5"
4x12				20'-0"	17'-11"
4x14					20'-0"

**BEAM SPANS or COLUMN SPACING (DFL #1)**

Rafter Span	Beam Span										
	4x6	4x8	4x10	4x12	4x14	4x16	6x8	6x10	6x12	6x14	
8'	10'-5"	13'-9"	16'-9"	19'-7"	20'-0"		16'-7"	20'-0"			
10'	9'-8"	12'-4"	15'-1"	17'-6"	19'-7"	20'-0"	15'-4"	18'-6"	20'-0"		
12'	8'-11"	11'-3"	13'-9"	16'-0"	17'-10"	20'-0"	14'-0"	16'-9"	19'-5"		
14'	8'-3"	10'-5"	12'-9"	14'-9"	16'-6"	19'-0"	12'-11"	15'-8"	18'-0"	20'-0"	
16'	7'-8"	9'-9"	11'-11"	13'-9"	15'-5"	17'-10"	12'-1"	14'-8"	16'-10"	19'-9"	
18'	7'-3"	9'-2"	11'-3"	13'-0"	14'-7"	16'-9"	11'-5"	13'-9"	15'-9"	18'-7"	
20'	6'-11"	8'-9"	10'-8"	12'-4"	13'-10"	15'-11"	10'-9"	13'-1"	15'-0"	17'-8"	

Loading: DL = 16 psf. (Roofing Material = 6 psf max.)  
 LL = 20 psf  
 Loading assumes 3/4" ply for spans <24" and 2x decking for spans >24". Other designs are possible but evidence must be submitted to establish their adequacy. No stucco finishes or roofing material exceeding 6 psf w/o engineering. Footing bearing pressures account for load duration and allowable bearing pressures of 1000 psf.



## INSTRUCTIONS:

1. A building permit for a patio cover may be obtained using these City standard drawings. Simply fill in the blanks and information requested on these plans.
2. Draw a plot plan (instructions can be found on the City's "Sample Plot/Site Plan" handout,) and bring three copies of the completed drawing to Building and Safety where it can be reviewed for Building and Zoning Code requirements a permit issued. (Show any openings in wall below patio cover, to ensure additional support is not required.)
3. Deviations from the construction and designs shown in these drawings will require complete plans and details and must be reviewed by a plan check engineer prior to obtaining a building permit.

## GENERAL NOTES

1. A patio cover is a one story structure that does not exceed 12 feet in height above the adjacent grade.
2. Patio covers shall be used for recreational, outdoor living purposes only and shall not be used as carports, garages, storage rooms or habitable rooms.
3. Longer side and one additional side of the patio shall be 65% open, below 6'8" above the floor. Openings may be enclosed with insect screening or readily removable plastic (translucent or transparent) up to 1/8-inch thick. Framed windows are not permitted.
4. One hour fire wall required when exterior face of post/wall is located less than 5'0" from the property line.
5. Unless a licensed engineer or architect provides structural calculations to justify it, no patio cover/structure will attach to or rely upon the existing rafter tails or roof projection for the purpose of supporting the new structure.
6. Patio covers are for outdoor living only. Use of these structures as habitable space requires a building permit and alterations to both the patio cover and the house, to comply with code requirements. Conversions may require upgrades to your foundation system, roof framing, electrical, fire life safety and many other items. Also you may need to provide a vapor barrier under slab, a reinforced slab and footing, new wall bracing, heating, electrical outlets, energy forms, and insulation for the space to be converted.
7. These drawings are examples of the way an open patio cover may be installed. Other methods may be used provided they are approved by this Department prior to installation. All material types and sizes are subjected to the approval of this Department.
8. Post may be supported on a 3-1/2" thick reinforced concrete slab on grade when posts support a combined live and dead load less than 750 pounds per column. Approved connector between post and concrete slab shall be capable to withstand uplift wind forces.

## TYPICAL ABBREVIATIONS:

Conc. = Concrete

Conn. = Connection

DFL = Douglas Fir Larch

Dia. = Diameter

Dim. = Dimension

Ga. = Gauge

Galv. = Galvanized

DL = Dead Load

LL = Live Load

psf = Pounds per Square Foot

psi = Pounds per Square Inch

o.c. = on center (spacing)

stl. = Steel

> = Greater Than

## REQUIRED INSPECTIONS:

1. FIRST INSPECTION: shall be after excavation for the footing (before any concrete is poured) and verification of the solid wood backing for the ledger bolting.
2. SECOND INSPECTION: shall be the framing inspection when all framing has been completed. The roof sheathing and nailing will be inspected at this time.
3. THIRD INSPECTION: will be the final inspection after the roof covering has been installed.

## CONSTRUCTION NOTES

1. Roof Covering shall be Class B or better fire retardant. Rafters shall be sized based on the table shown on page 2. Patio covers utilizing this sheet shall have roofing assemblies weighing less than 6 psf, including asphalt or fiberglass shingles, cap sheets, built-up roofs, hot mopped assemblies and some light weight tile roofs. Use of heavy weight roofs including concrete, clay or slate tile or stucco soffits require calculations and plans by a licensed engineer.
2. Rafters shall be marked Douglas Fir Grade #2 or better, Beams shall be marked Douglas Fir Grade #1 or better.
3. Concrete shall have a minimum strength of 2500 psi in 28 days.
4. Framing hardware shall be ICC approved for the intended use and installed per manufacturer's specifications using all recommended fasteners.
5. Roof Sheathing shall be continuous over 2 or more rafter spans, face grain shall be perpendicular to supports and maximum span shall be as follows:

SHEATHING	SPAN RATING	MAX. SPAN	NAILING
3/8" CDX Plywood	20/0	16" o.c.	6d common or deformed shank
1/2" CDX Plywood	24/0	24" o.c.	6d common or deformed shank
5/8" CDX Plywood	40/20	32" o.c.	8d common or deformed shank
3/4" CDX Plywood	48/24	36" o.c.	8d common or deformed shank
1-1/8" CDX Plywood	60/48	48" o.c.	10d common or deformed shank
1x nominal lumber		24" o.c.	2-8d at each lap
2x Decking		48" o.c.	2-16d at each rafter

(all nail spacing for plywood sheathing shall be 6" on center (o.c.) at edges and 12 on center field)